



Job Name _____	Item # _____
Location _____	
Engineer _____	Contractor _____
PO # _____	Tag _____
Representative _____	

WALLD48, WALLD72, WALLD96, WALLD48-SWO, WALLD72-SWO, WALLD96-SWO TECHNICAL SPECIFICATION

DESCRIPTION

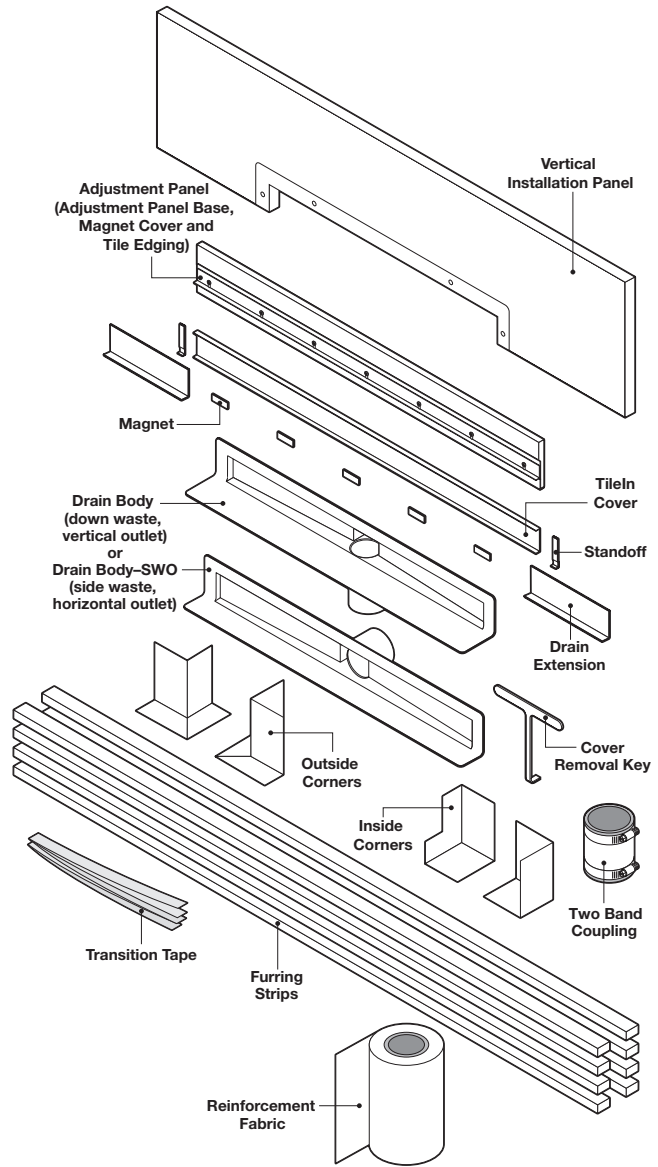
- Length adjustability of drain body with use of drain extensions (24" for each side, 48" total) to accommodate shower sizes from 26" - 72" with the use of one drain and 56" - 96" with two drains linked together.
- Used with topical liquid waterproofing.
- Drain capacity for 2" outlet is 12 GPM (the actual volume is limited by the plumbing lines and P-trap). Multiple drains can be linked together to accommodate greater water flow or larger shower size

INCLUDES

- Vertical Installation Panel* (1)
- (1) WallD24 Drain Body
- Adjustment Panel* (1)
- Adjustment Panel Base (1)
- Magnet Cover (1)
- Tile Edging (1)
- Magnets (5)
- TileIn Cover*
- Drain Extension (2)
- Standoff (2)
- 48" Furring Strips (8)
- Reinforcement Fabric
- Inside Corners (2)
- Outside Corners (2)
- Transition Tape (1)
- Two Band Coupling (1)

APPROVALS AND LISTINGS

Before installing QuickDrain USA system, check with your local building department/plumbing inspector to ensure compliance with the local building codes. QuickDrain USA LLC is not responsible for any conflicts with local building codes. QuickDrain USA LLC is not responsible for improper installation of any part of the assembly or the waterproofing membrane. Dimensions are subject to manufacturer's tolerance and can change without notice.



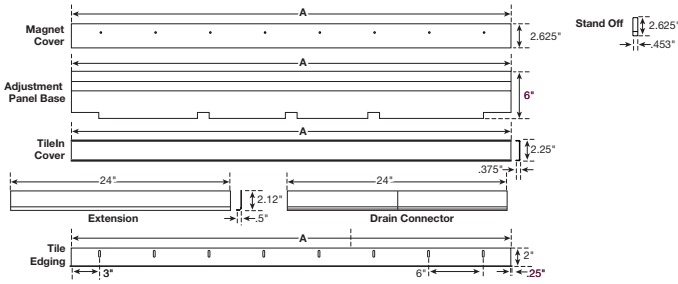
MODEL NUMBER	PART	LENGTH
WALLD48, WALLD48-SWO	Vertical Installation Panel Adjustment Panel TileIn Cover	48"
WALLD72, WALLD72-SWO	Vertical Installation Panel Adjustment Panel TileIn Cover	72"
WALLD96, WALLD96-SWO	Vertical Installation Panel Adjustment Panel TileIn Cover	2 x 48"



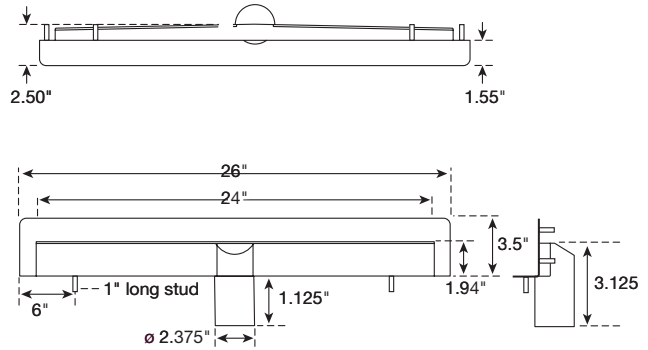
Access BIM/Revit content through www.LRBrands.com/QuickDrain

WALLD48, WALLD72, WALLD96, WALLD48-SWO, WALLD72-SWO, WALLD96-SWO TECHNICAL SPECIFICATION

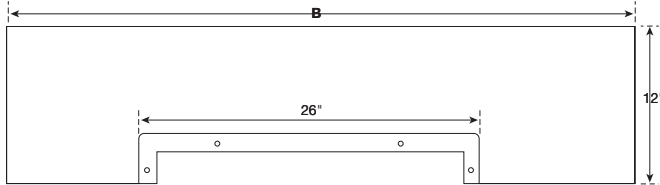
DIMENSIONS (ADJUSTMENT PANEL ASSEMBLY)



DRAIN BODY (DOWN WASTE, VERTICAL OUTLET) DIMENSIONS

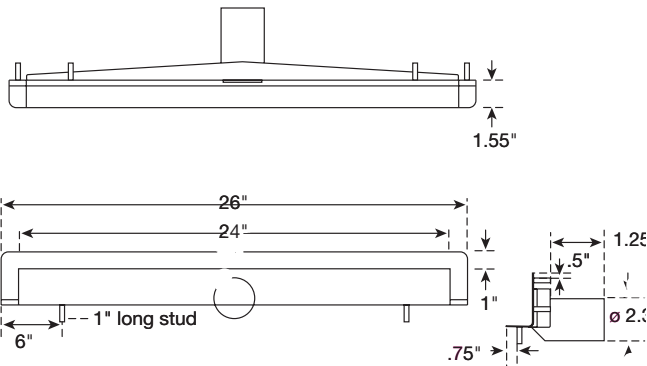


VERTICAL INSTALLATION PANEL DIMENSIONS



MODEL	A
WALLD48, WALLD48-SWO	48"
WALLD72, WALLD72-SWO	72"
WALLD96, WALLD96-SWO	2 x 48"

DRAIN BODY (SIDE WASTE, HORIZONTAL OUTLET) DIMENSIONS



MODEL	A
WALLD48, WALLD48-SWO	48"
WALLD72, WALLD72-SWO	72"
WALLD96, WALLD96-SWO	2 x 48"

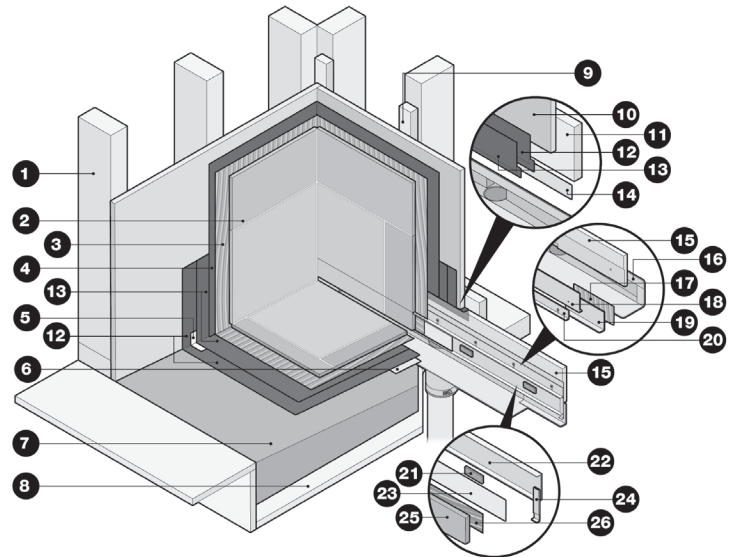
Access BIM/Revit content through www.LRBrands.com/QuickDrain

WALLD48, WALLD72, WALLD96, WALLD48-SWO, WALLD72-SWO, WALLD96-SWO TECHNICAL SPECIFICATION

INSTALLATION NOTES

- Drain body cannot be shortened or modified. It can be lengthened with use of drain extensions.
- Cutaway illustration (shown) is liquid waterproofing with mortar bed installation. For different types of installations, please see other cutaway illustrations at www.quickdrainusa.com

- | | |
|-----------------------------|--|
| 1 Stud Wall | 9 Furring Strips |
| 2 Tile and Grout | 10 Backer Board |
| 3 Thin Set (for tile) | 11 Vertical Installation Panel |
| 4 Liquid Wall Waterproofing | 12 First Layer of Shower Pan Liquid Waterproofing |
| 5 Reinforcement Tape | 13 Second Layer of Shower Pan Liquid Waterproofing |
| 6 Transition Tape | 14 Transition Tape |
| 7 Concrete Slope | 15 Adjustment Panel Base |
| 8 Recessed Floor | 16 Drain Body |
| | 17 Thin Set (for extension) |
| | 18 Magnet Cover |
| | 19 Extension |
| | 20 Tile Edging |
| | 21 Magnet |
| | 22 TileIn Cover |
| | 23 Transition Tape |
| | 24 Standoff |
| | 25 Tile |
| | 26 Thin Set (for TileIn) |



WALLDRAIN: DRAIN CONNECTION

It is recommended to install the vertical installation panels without cutting them on the side where they meet since the sloped connector is made to fit between the two drain bodies. This might not be possible in cases where the length of the shower cannot accommodate the 78" of minimum length, waste outlets cannot be placed in the specific places where required by the drain layout or other circumstances.

This installation is the same as an installation of two separate drains. Special attention should be paid to the alignment of the drain bodies (both horizontally and vertically). The horizontal flanges need to be set at the same height and level, but the vertical plane must be flat and straight.

After vertical installation panels and drain bodies are set, continue with standard WallDrain liquid waterproofing, except where the vertical installation panels meet. This joint needs to be treated as any other joint in liquid waterproofing and covered with reinforcement tape.

When installing the drain extensions, the ends are treated the same way as in standard installation. Regular drain extensions are installed at an angle using thinset and transition tape. The area between the drains is very similar except that the connector is shaped to provide a slope and fit between the ends of drain bodies (if the vertical installation panels are not cut between the drains).

If vertical installation panels or even one of them is cut then the connector needs to be trimmed equally on both to provide equal flow of water to both sides of the connector and thus the waste outlets in drain bodies.

When ready to install the connector (trimmed or untrimmed) place transition tape on the back and install with the use of thin set the same way as the drain extensions. Make sure that the middle point is sticking forward and the ends of the connector are tight to the drain body.

When these are installed, proceed with standard installation of adjustment panels and covers.

