




Job Name _____	Item # _____
Location _____	
Engineer _____	Contractor _____
PO # _____	Tag _____
Representative _____	

**SLPANADA48, SLPANADA64, SLPANADA4874
(P.2), SLPANADA48100 (P.2), SLPANADA6474
(P.2), SLPANADA64100 (P.2)
TECHNICAL SPECIFICATION**

DESCRIPTION

- Tileable shower receptor for Linear Drain
- Is made of extruded rigid PET (polyethyleneterephthalate) plastic foam. It is strong yet lightweight, non-reactive, economical, and shatterproof
- Chemically stable, UV resistant and suitable for both interior and exterior use
- Can be used with both sheet and liquid topical waterproofing
- Speed and consistency of installation
- Eliminates the need for traditional mud bed installations
- Lightweight, durable with high compressive strength 145PSI
- Can be quickly and easily modified to size and shape of on site conditions
- Meets IAPMO PS-106-2013
- 100% Post Consumer recycled and fully recyclable 



APPLICATIONS / USES

- Interior and exterior use
- Industrial, commercial and residential showers
- Gang showers
- Pet Showers

SUITABLE SUBSTRATES (INTERIOR ONLY)

- Concrete
- Exterior Glue Plywood
- Cement backer board**
- OSB or Avantech

***Consult cement backer board manufacturer for specific installation recommendations*

APPROVALS AND LISTINGS

Before installing QuickDrain USA system, check with your local building department/plumbing inspector to ensure compliance with the local building codes. QuickDrain USA LLC is not responsible for any conflicts with local building codes. QuickDrain USA LLC is not responsible for improper installation of any part of the assembly or the waterproofing membrane. Dimensions are subject to manufacturer’s tolerance and can change without notice.

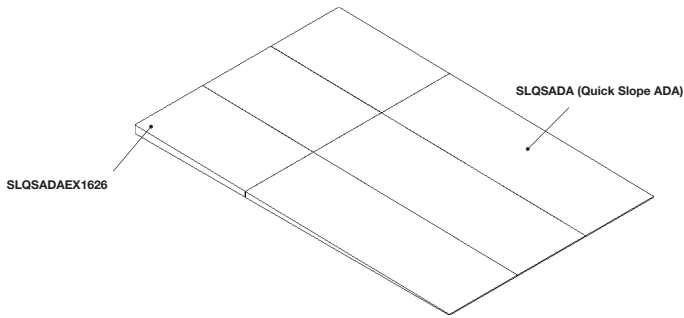
* Not recommended for curbless entry showers.

ITEM CODE	SLQSADA
SLPANADA48	3
SLPANADA64	4



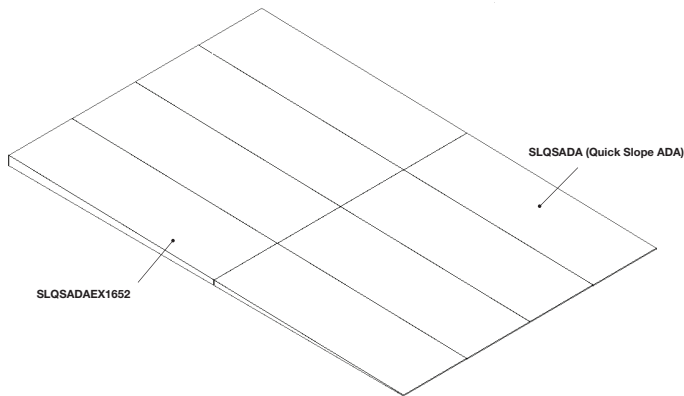
**SLPANADA48, SLPANADA64, SLPANADA4874
(P.2), SLPANADA48100 (P.2), SLPANADA6474
(P.2), SLPANADA64100 (P.2)
TECHNICAL SPECIFICATION**

SLPANADA4874, SLPANADA48100



ITEM CODE	SLQSADA	SLQSADAEX1626	SLQSADAEX1652
SLPANADA4874	3	3	-
SLPANADA48100	3	-	3

SLPANADA6474, SLPANADA64100



ITEM CODE	SLQSADA	SLQSADAEX1626	SLQSADAEX1652
SLPANADA6474	4	4	-
SLPANADA64100	4	-	4

* Not recommended for curbless entry showers.

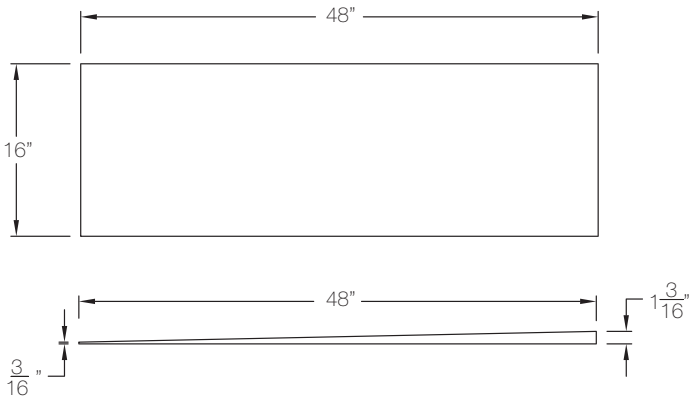
Access BIM/Revit content through www.oatey.com



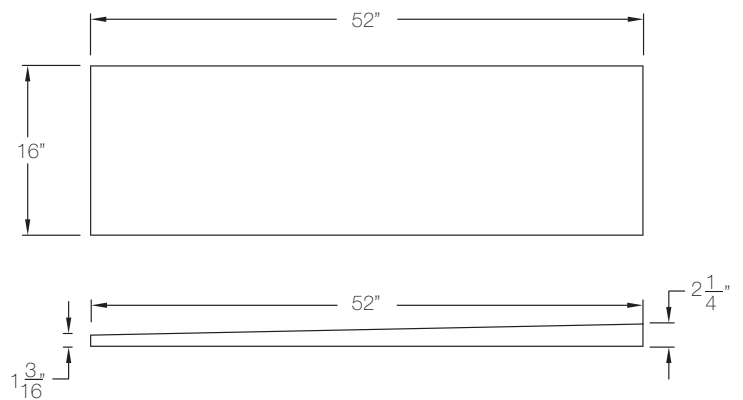
**SLPANADA48, SLPANADA64, SLPANADA4874
(P.2), SLPANADA48100 (P.2), SLPANADA6474
(P.2), SLPANADA64100 (P.2)
TECHNICAL SPECIFICATION**

DIMENSIONS

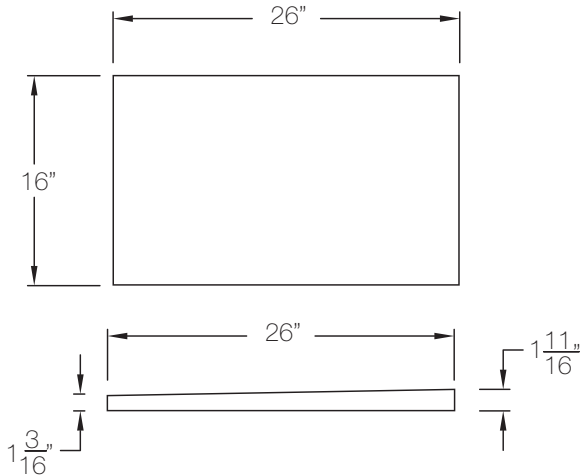
SLQSADA (QUICK SLOPE ADA)



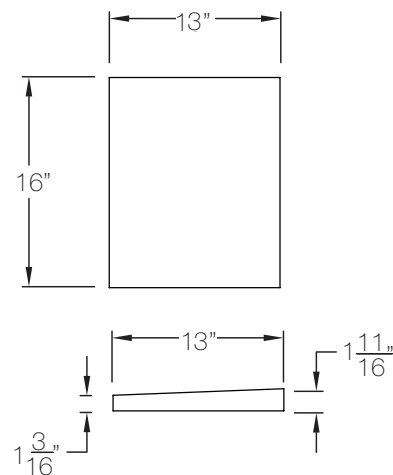
SLQSADAEX1652



SLQSADAEX1626



SLQSADAEX1613



* Not recommended for curbless entry showers.

Access BIM/Revit content through www.oatey.com