



Job Name _____	Item # _____
Location _____	
Engineer _____	Contractor _____
PO # _____	Tag _____
Representative _____	

SQUAREDRAIN PRE-SLOPED SHOWER PAN KIT TECHNICAL SPECIFICATION

DESCRIPTION

The Pre-Sloped Shower Pan shall be a tileable shower receptor for point drains and made from extruded rigid PET (polyethylene terephthalate) plastic foam. It is strong, lightweight, non-reactive, chemically stable, UV resistant, and suitable for interior and exterior use. The Pre-Sloped Shower Pan can be used with both sheet membrane and liquid topical waterproofing and eliminates the need for traditional mud bed installations. The compressive strength shall be 145PSI and meet IAPMO PS-10 standards. It shall have the ability to be effortless and quickly modified to size and shape conditions on-site and is made from 100% post-consumer recycled plastic, and be fully recyclable.

APPLICATIONS/USES

- Industrial, commercial and residential showers
- Gang showers
- Pet Showers

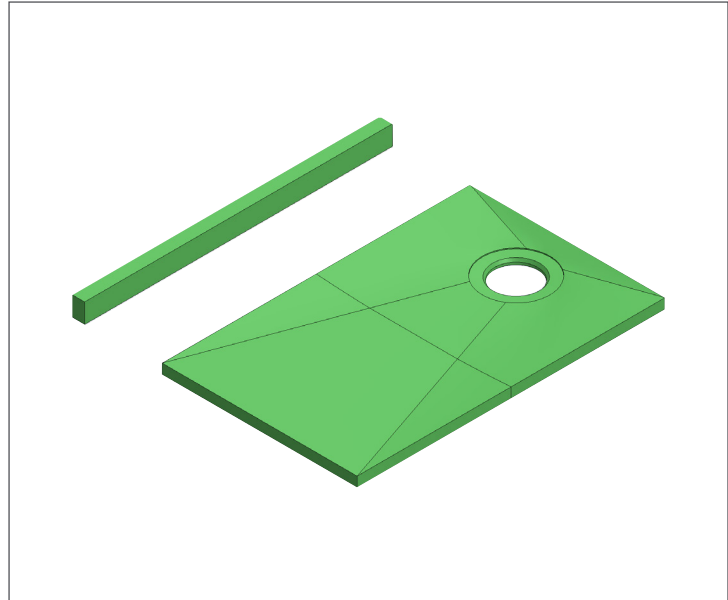
SUITABLE SUBSTRATES (INTERIOR ONLY)

- Concrete
- Exterior Glue Plywood
- Cement backer board**
- OSB Or Avantech

**Consult cement backer board manufacturer for specific installation recommendations

PAN KIT INCLUDES

- Pre-sloped Shower Pan
- 3" Pre-formed Curb
- Curb Lag Screws



APPROVALS AND LISTINGS

Before installing the QuickDrain system, check with your local building department/plumbing inspector to ensure compliance with the local building codes. QuickDrain is not responsible for any conflicts with local building codes. QuickDrain is not responsible for improper installation of any part of the assembly or the waterproofing membrane. Dimensions are subject to manufacturer's tolerance and can change without notice.



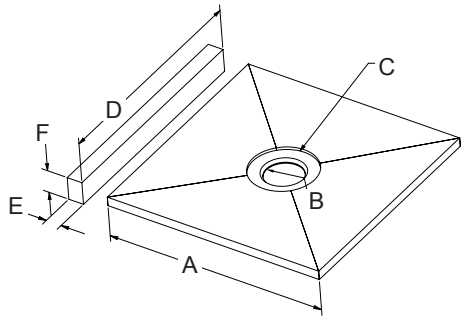
PRODUCT SELECTOR

SQUAREDRAIN PRE-SLOPED SHOWER PANS							
✓	Pan Size	Item No.	Extension Panels	Waterproofing Options	Flange Size	Required Universal Flange Adaptors	Compatible Drains
	36" x 36"	SDPAN36-SF	SDQSEX2436	SDSWP36, SDLWP-SF	Small	QDCONVERSIONKIT-SF, QDABSFULLKIT-SF, or QDPVCFULLKIT-SF	SD04-, CPD04-
	48" x 48"	SDPAN48-SF	SDQSEX2448	SDSWP48, SDLWP-SF			
	36" x 48"	SDPAN36X48-SF-OFFSET		SDSWP36, SDLWP-SF			
	36" x 48"	SDPAN36X48-SF					
	38" x 60"	SDPAN38X60-SF-OFFSET					
	38" x 60"	SDPAN38X60-SF					
	36" x 36"	SDPAN36-LF	SDQSEX2436	SDSWP36, SDLWP-LF	Large	QDCONVERSIONKIT-LF, QDABSFULLKIT-LF, or QDPVCFULLKIT-LF	SD05-, SD06-, CPD05-, CPD06-
	48" x 48"	SDPAN48-LF	SDQSEX2448	SDSWP48, SDLWP-LF			
	36" x 48"	SDPAN36X48-LF-OFFSET		SDSWP36, SDLWP-LF			
	36" x 48"	SDPAN36X48-LF					
	38" x 60"	SDPAN38X60-LF-OFFSET					
	38" x 60"	SDPAN38X60-LF					

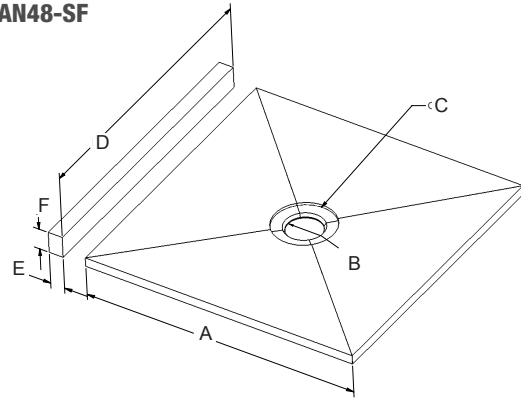
Access BIM/Revit content through www.oatey.com

COMPATIBLE WITH 4" SQUAREDRAIN (CPD04- AND SD04-) AND SMALL UNIVERSAL FLANGE ADAPTORS

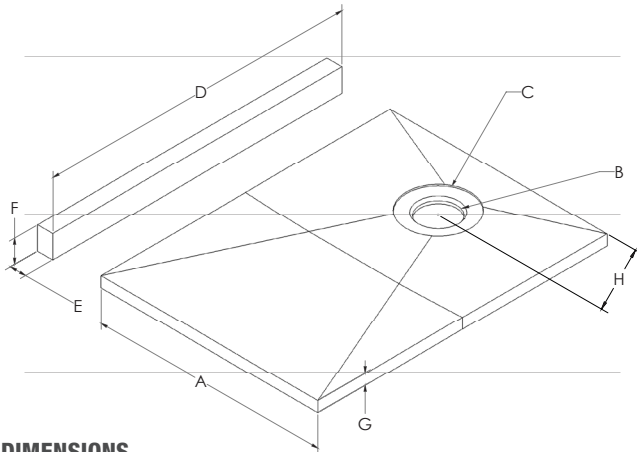
- 36" X 36" SDPAN36-SF
- 36" X 48" SDPAN36X48-SF-OFFSET
- 48" X 48" SDPAN48-SF
- 38" X 60" SDPAN38X60-SF
- 36" X 48" SDPAN36X48-SF
- 38" X 60" SDPAN38X60-SF-OFFSET

SDPAN36-SF

DIMENSIONS

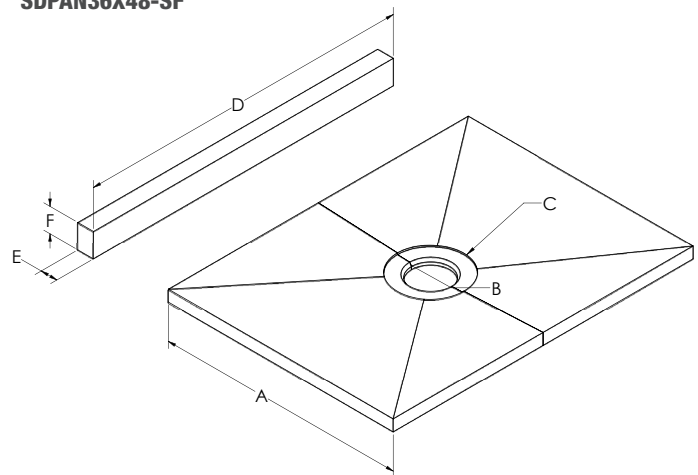
[A]:	Pan Size:	36" x 36"	[D]:	Curb Length	36"
[B]:	Thru Hole	6"	[E]:	Curb Width	2-1/2"
[C]:	Flange O.D.	10-1/2"	[F]:	Curb Height	3-13/16"

SDPAN48-SF

DIMENSIONS

[A]:	Pan Size:	48" x 48"	[D]:	Curb Length	48"
[B]:	Thru Hole	6"	[E]:	Curb Width	2-1/2"
[C]:	Flange O.D.	10-1/2"	[F]:	Curb Height	3-13/16"

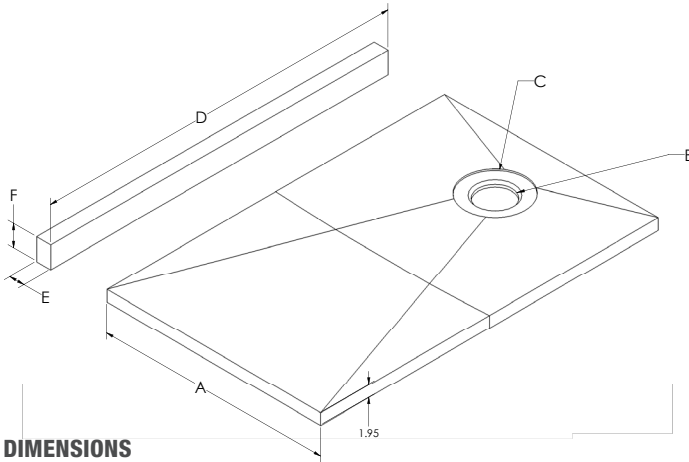
SDPAN36X48-SF-OFFSET

DIMENSIONS

[A]:	Pan Size:	36" x 48"	[D]:	Curb Length	48"
[B]:	Thru Hole	6"	[E]:	Curb Width	2-1/2"
[C]:	Flange O.D.	10-1/2"	[F]:	Curb Height	3-13/16"

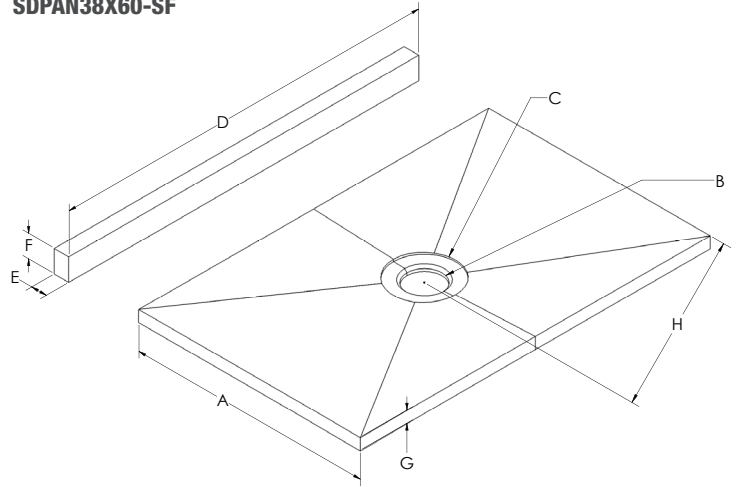
SDPAN36X48-SF

DIMENSIONS

[A]:	Pan Size:	36" x 48"	[D]:	Curb Length	48"
[B]:	Thru Hole	6"	[E]:	Curb Width	2-1/2"
[C]:	Flange O.D.	10-1/2"	[F]:	Curb Height	3-13/16"

Access BIM/Revit content through www.oatey.com

SDPAN38X60-SF-OFFSET

DIMENSIONS

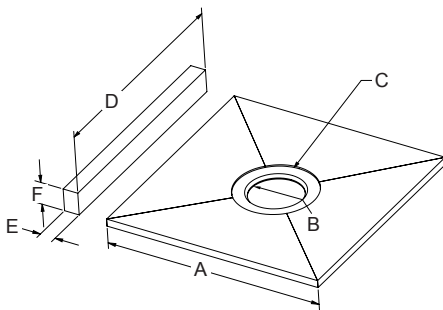
[A]:	Pan Size:	38" x 60"	[D]:	Curb Length	60"
[B]:	Thru Hole	8-7/16"	[E]:	Curb Width	2-1/2"
[C]:	Flange O.D.	10-1/2"	[F]:	Curb Height	3-13/16"

SDPAN38X60-SF

DIMENSIONS

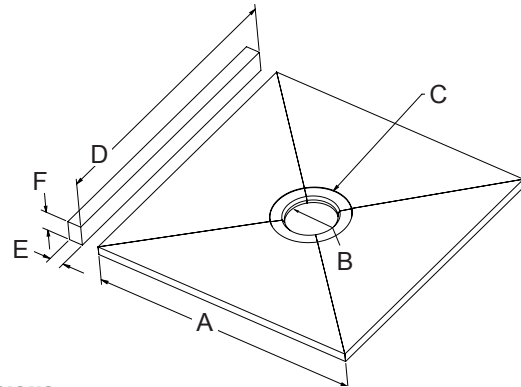
[A]:	Pan Size:	38" x 60"	[D]:	Curb Length	60"
[B]:	Thru Hole	6"	[E]:	Curb Width	2-1/2"
[C]:	Flange O.D.	10-1/2"	[F]:	Curb Height	3-13/16"

COMPATIBLE WITH 5" SQUAREDRAINS (CPD05-, CPD06-, SD05- AND SD06-) AND LARGE UNIVERSAL FLANGE ADAPTORS

- 36" X 36" SDPAN36-LF
- 36" X 48" SDPAN36X48-LF-OFFSET
- 48" X 48" SDPAN48-LF
- 38" X 60" SDPAN38X60-LF
- 36" X 48" SDPAN36X48-LF
- 38" X 60" SDPAN38X60-LF-OFFSET

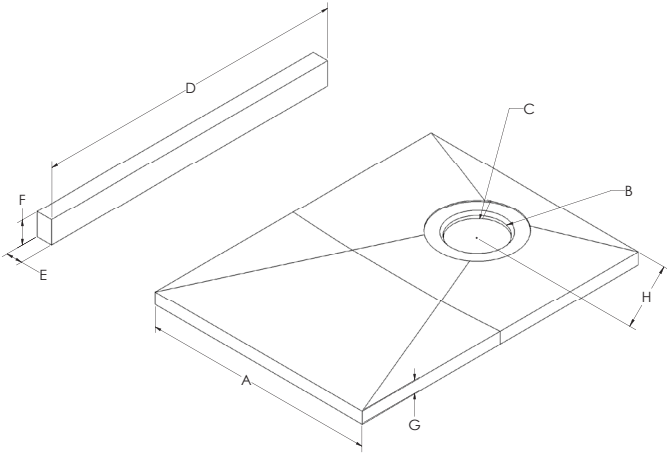
SDPAN36-LF

DIMENSIONS

[A]:	Pan Size:	36" x 36"	[D]:	Curb Length	36"
[B]:	Thru Hole	8-1/2"	[E]:	Curb Width	2-1/2"
[C]:	Flange O.D.	13"	[F]:	Curb Height	3-13/16"

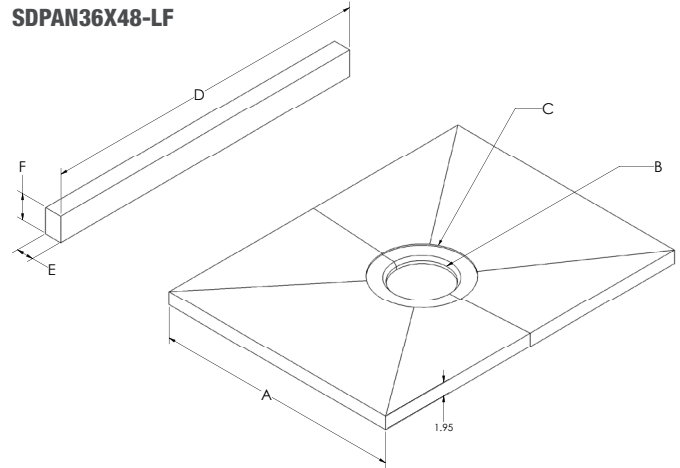
SDPAN48-LF

DIMENSIONS

[A]:	Pan Size:	48" x 48"	[D]:	Curb Length	48"
[B]:	Thru Hole	8-1/2"	[E]:	Curb Width	2-1/2"
[C]:	Flange O.D.	13"	[F]:	Curb Height	3-13/16"

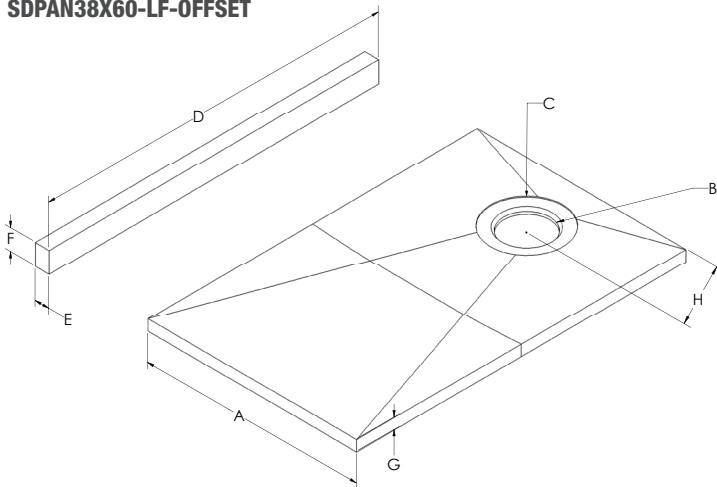
Access BIM/Revit content through www.oatey.com

SDPAN36X48-LF-OFFSET

DIMENSIONS

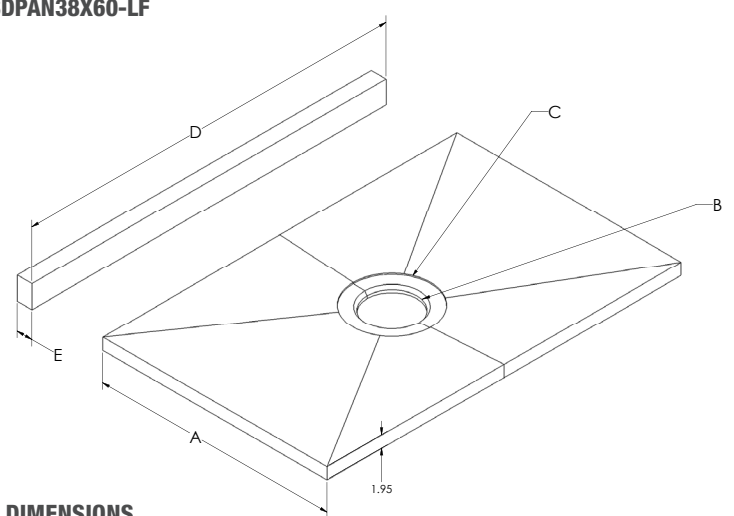
[A]:	Pan Size:	36" x 48"	[D]:	Curb Length	48"
[B]:	Thru Hole	8-7/16"	[E]:	Curb Width	2-1/2"
[C]:	Flange O.D.	13"	[F]:	Curb Height	3-13/16"

SDPAN36X48-LF

DIMENSIONS

[A]:	Pan Size:	36" x 48"	[D]:	Curb Length	48"
[B]:	Thru Hole	8-7/16"	[E]:	Curb Width	2-1/2"
[C]:	Flange O.D.	13"	[F]:	Curb Height	3-13/16"

SDPAN38X60-LF-OFFSET

DIMENSIONS

[A]:	Pan Size:	38" x 60"	[D]:	Curb Length	60"
[B]:	Thru Hole	8-7/16"	[E]:	Curb Width	2-1/2"
[C]:	Flange O.D.	13"	[F]:	Curb Height	3-13/16"

SDPAN38X60-LF

DIMENSIONS

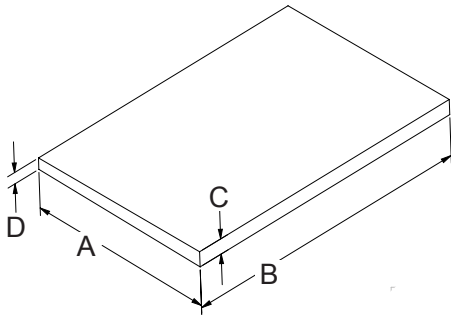
[A]:	Pan Size:	38" x 60"	[D]:	Curb Length	60"
[B]:	Thru Hole	8-7/16"	[E]:	Curb Width	2-1/2"
[C]:	Flange O.D.	13"	[F]:	Curb Height	3-13/16"

SQUAREDRAIN SHOWER PAN EXTENSION PANEL TECHNICAL SPECIFICATION

COMPATIBLE WITH SQUARE SHOWER PANS ONLY

- SDPAN36-SF • SDPAN48-SF
- SDPAN36-LF • SDPAN48-LF

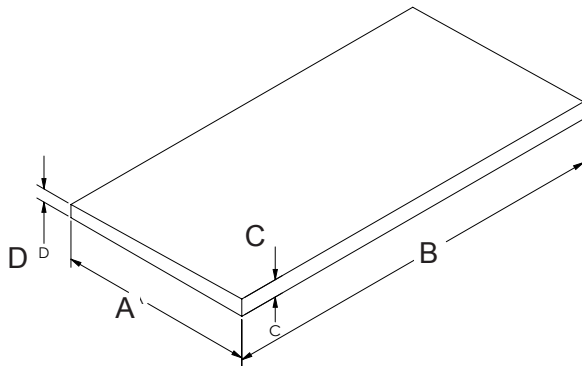
36" x 24" Extension



DIMENSIONS

[A]:	Length:	24"	[C]:	Tall End	2"
[B]:	Width:	36"	[D]:	Low End	1.5"

48" x 24" Extension



DIMENSIONS

[A]:	Length:	24"	[C]:	Tall End	2"
[B]:	Width:	48"	[D]:	Low End	1.6"

Access BIM/Revit content through www.oatey.com