



QUICKDRAIN PET POINT PAN KITS CURBLESS APPLICATION TECHNICAL SPECIFICATION

Job Name _____	Item # _____
Location _____	
Engineer _____	Contractor _____
PO # _____	Tag _____
Representative _____	

DESCRIPTION

The PET Point Pan shall be a tileable shower receptor for square drains and made from extruded rigid PET (polyethylene terephthalate) plastic foam. It is strong, lightweight, non-reactive, chemically stable, UV resistant, and suitable for interior and exterior use. The Point Pan can be used with both sheet and liquid topical waterproofing and eliminates the need for traditional mud bed installations. The compressive strength shall be 145PSI and meet IAPMO PS-10-2013 standards. It shall have the ability to be effortless and quickly modified to size and shape conditions on-site and is made from 100% post-consumer recycled plastic, and be fully recyclable.

APPLICATIONS/USES

- Industrial, commercial and residential showers
- Gang showers
- Pet Showers

SUITABLE SUBSTRATES (INTERIOR ONLY)

- Concrete
- Exterior Glue Plywood
- Cement backer board**
- OSB Or Avantech

**Consult cement backer board manufacturer for specific installation recommendations

APPROVALS AND LISTINGS

Before installing QuickDrain USA system, check with your local building department/plumbing inspector to ensure compliance with the local building codes. QuickDrain USA LLC is not responsible for any conflicts with local building codes. QuickDrain USA LLC is not responsible for improper installation of any part of the assembly or the waterproofing membrane. Dimensions are subject to manufacturer's tolerance and can change without notice.

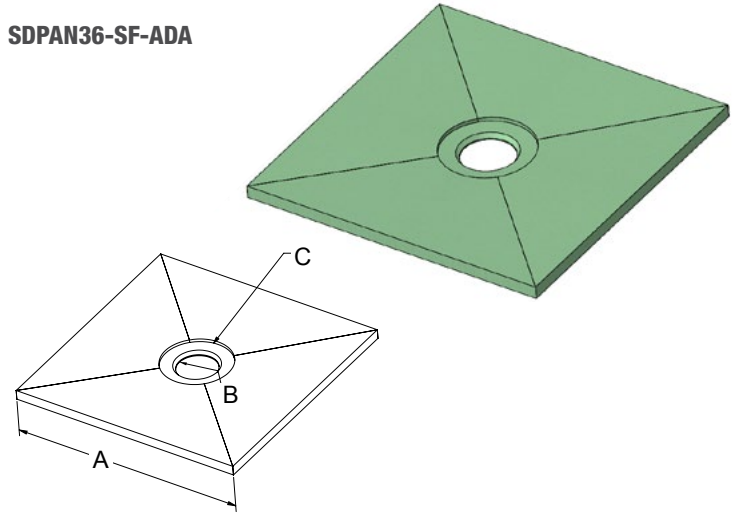


PRODUCT SELECTOR

PET SQUAREDRAIN SLOPE				
✓	Slope Size	Flange Recess	Product Number	Required Additional Product
	36" x 36"	Small	SDPAN36-SF-ADA	CPD04
	36" x 36"	Large	SDPAN36-LF-ADA	CPD05, CPD06
	48"x 48"	Small	SDPAN48-SF-ADA	CPD04
	48"x 48"	Large	SDPAN48-LF-ADA	CPD05, CPD06

Dimensions continued on next page.

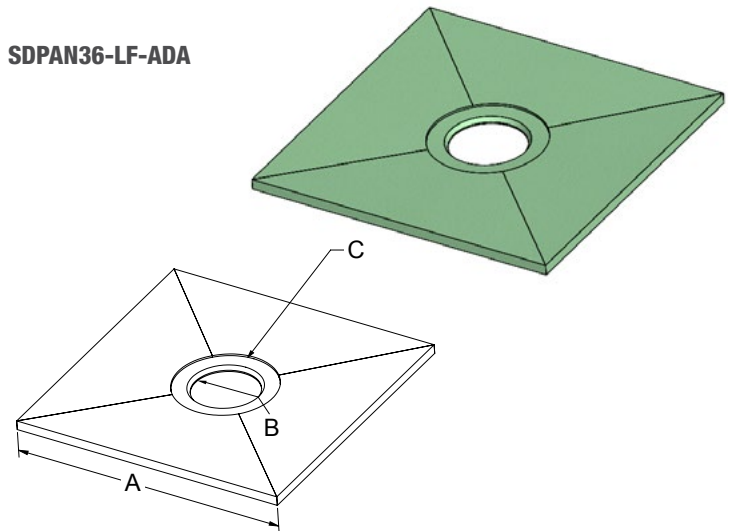
SDPAN36-SF-ADA



DIMENSIONS

[A]:	Pan Size:	36" x 36"	[C]:	Flange O.D.	10-1/2"
[B]:	Thru Hole	6"			

SDPAN36-LF-ADA



DIMENSIONS

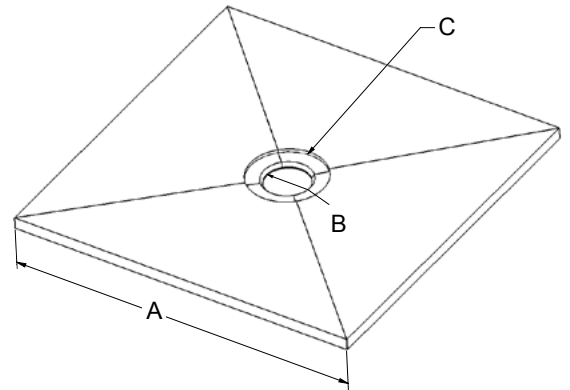
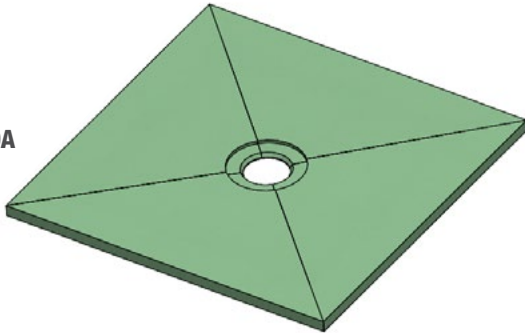
[A]:	Pan Size:	36" x 36"	[C]:	Flange O.D.	13"
[B]:	Thru Hole	8-1/2"			

Access BIM/Revit content through www.quickdrainusa.com



**QUICKDRAIN
PET POINT PAN KITS
CURBLESS APPLICATION
TECHNICAL SPECIFICATION**

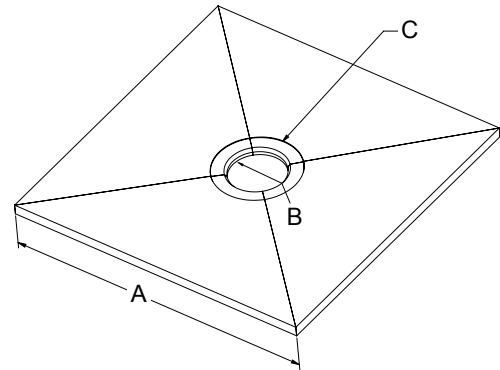
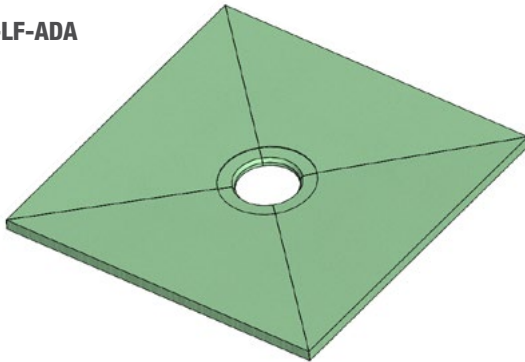
SDPAN48-SF-ADA



DIMENSIONS

[A]:	Pan Size:	48" x 48"	[C]:	Flange O.D.	10-1/2"
[B]:	Thru Hole	6"			

SDPAN48-LF-ADA



DIMENSIONS

[A]:	Pan Size:	48" x 48"	[C]:	Flange O.D.	13"
[B]:	Thru Hole	8-1/2"			

Access BIM/Revit content through www.quickdrainusa.com