



QUICKDRAIN
USA™

WALLDRAIN

Photo by Nat Rea

L. R. B R A N D S™
AN OATEY INNOVATION

Stunning luxury that takes showering to a whole new level.

WallDrain offers the ultimate in shower luxury and design innovation, pushing performance to its limit. It breaks the traditional rules of shower drain systems and goes beyond the limits of convention.

Because WallDrain is built into the wall instead of the floor surface, it offers a totally concealed and sleek look. You've never seen a drain like this before.



A more sophisticated shower solution.

Design is an integral part of the QuickDrain experience. Elegance and performance working together in tandem, a seamless blend of style and engineering.

Elevate your shower design. QuickDrain is a sophisticated curbed or curbless total shower solution, full of refined detail.

Experience. Design. Authenticity. Quality.

Beautiful design is one thing. Pairing it with superior performance is another. Every engineering and design choice was intended to make QuickDrain as efficient as it is appealing.



ELEGANCE IN DESIGN

Open up a world of design possibilities.



EASY ACCESS DRAIN COVER

A series of magnets allow for simple removal and reattachment.



CLEAN LINES

Create a seamless visual flow within your bathroom.



Performance in curbless...

When QuickDrain is installed with a curbless entrance, it creates an easy, seamless transition from dry to wet areas in the bathroom.



Universal Design & ADA Compliance

The roll-in shower is a hallmark of universal design, making the shower easily accessible to all ages and abilities in accordance with the Americans with Disabilities Act. It also provides a clean and expansive look, from traditional to modern aesthetics.



Flooring Options

There are nearly limitless design options, as QuickDrain makes it possible to use nearly any imaginable finish or flooring material.



and curbed showers.

Shower curbs can serve as the barrier between the shower pan and the rest of the bathroom floor.



Design Opportunities

Allows for use of multiple tile formats throughout the bathroom. The design possibilities are limitless when mixing and matching patterns with the curb separating and framing the shower space



Layout Preference

QuickDrain installations with a curbed shower can give a bathroom a sense of separation from the rest of the room and help visually frame the shower area.

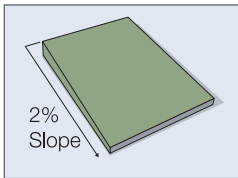


Simple installation. Wall-to-wall coverage.



All in a matter of hours.

Projects with a traditional mud bed require a minimum of two days of construction, waiting for mortar to set. The QuickSlope panel system can be completely installed in less than one day.



Less labor.

The QuickDrain system allows installers to move on to the next job quickly. The pre-sloped PET panels eliminate the need to float a pitched mud bed and wait for it to cure, saving big on labor cost.

Complete Water Evacuation

Whereas a traditional center drain requires a custom slope from a variety of directions, WallDrain is situated parallel to the shower entry, creating a single flat surface, with stable and consistent flooring. And, the drain sits shallow enough in the subfloor, eliminating the need to recess the entire shower floor.

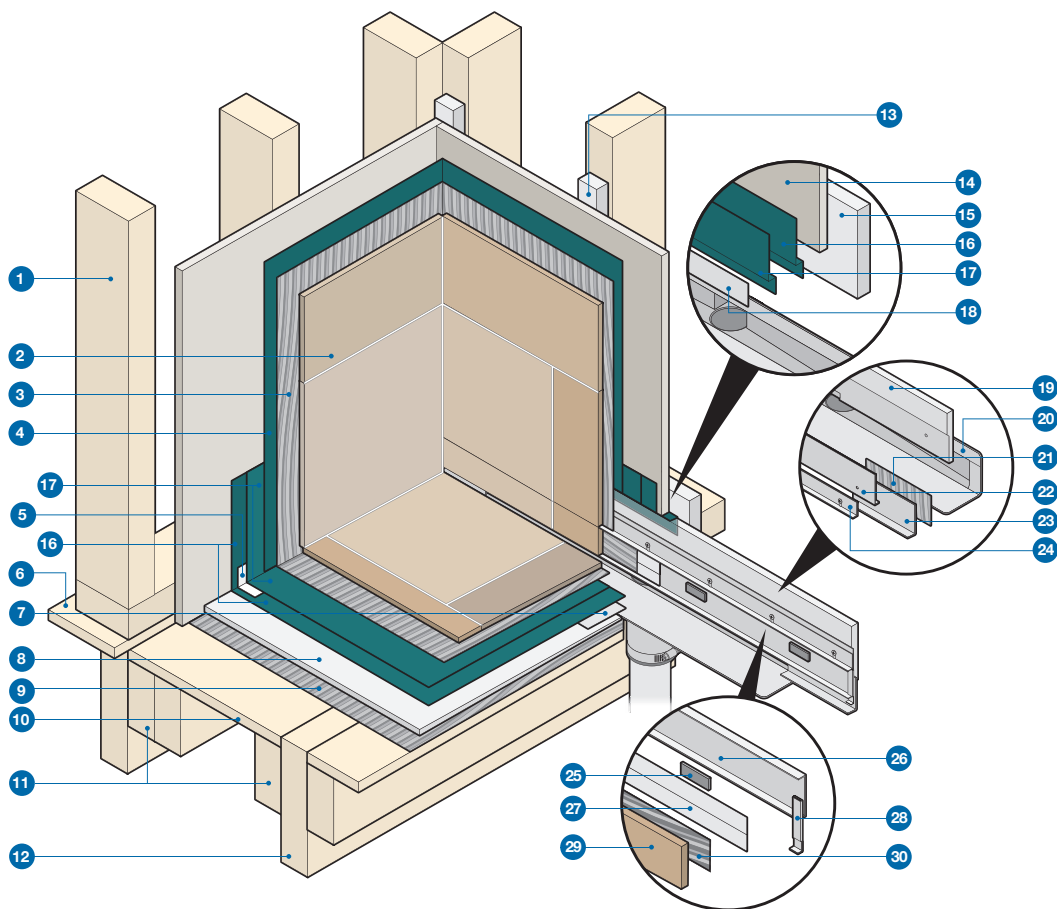
Most importantly, QuickDrain's QuickFlow System creates wall-to-wall coverage and promotes the effective and efficient drainage of water.



The most complete in-wall linear drain system.

WallDrain is a complete shower system that re-imagines how a linear drain should perform and be installed. The system slashes construction time and minimizes impact on customers.

Example of WallDrain with Curbless Entry and Recessed Plywood Floor



- | | | | |
|-----------------------------|--------------------------------|--|---------------------------|
| 1 Stud Wall | 9 Thin Set | 16 First Layer of Shower Pan Liquid Waterproofing | 23 Extension |
| 2 Wall Tile and Grout | 10 Recessed Subfloor | 17 Second Layer of Shower Pan Liquid Waterproofing | 24 Tile Edging |
| 3 Thin Set (for wall tile) | 11 Blocking Support | 18 Transition Tape | 25 Magnet |
| 4 Liquid Wall Waterproofing | 12 Floor Joists | 19 Adjustment Panel | 26 Tile-In Cover |
| 5 Reinforcing Fabric | 13 Furring Strips | 20 Drain Body | 27 Transition Tape |
| 6 Original Subfloor | 14 Backer Board | 21 Thin Set (for extension) | 28 Stand Off |
| 7 Transition Tape | 15 Vertical Installation Panel | 22 Magnet Cover | 29 Tile |
| 8 Pre-Sloped PET Panel | | | 30 Thin Set (for Tile-In) |

Unmatched flexibility. Total customization.

No two shower installations are exactly alike, but QuickDrain can adapt to job site conditions, allowing installers to create an ideal shower for their customers.

WallDrain comes in the following lengths:

48"

72"

96"

144"

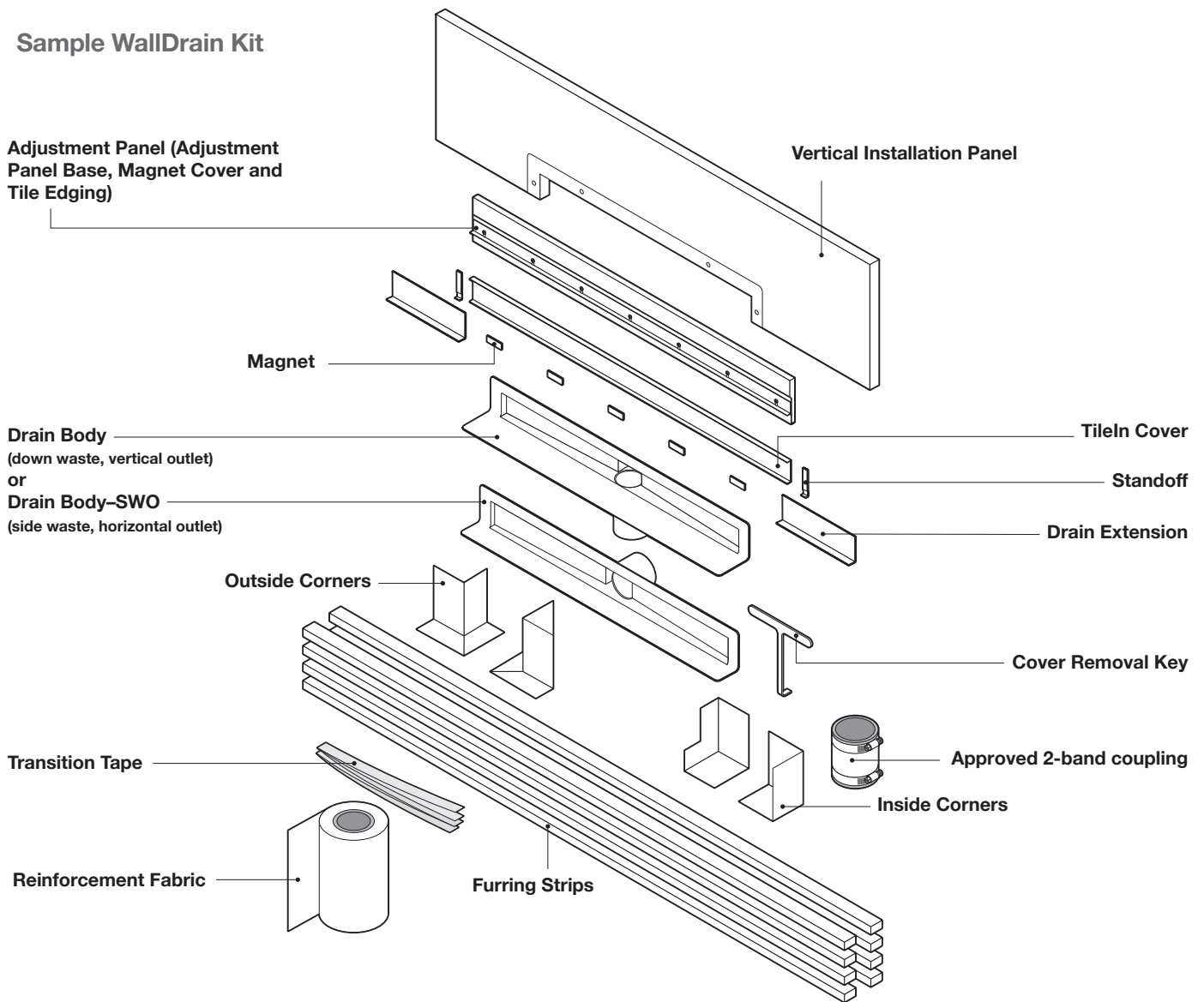
WallDrain kits can be trimmed onsite for convenient adjustability. Each WallDrain kit is available with either a vertical or a side (horizontal) waste outlet configuration. The WallDrain system is engineered to efficiently and effectively drain water from the shower.



Ideal Application	Drain Body Material	Sizes	Drain Capacity	Configurations	Waterproofing Options
<ul style="list-style-type: none"> • Hospitality • Healthcare • Residential • Multi-Family 	<ul style="list-style-type: none"> • 18 Gauge 316L Marine Grade Stainless Steel 	<ul style="list-style-type: none"> • WALLD48 (Fits RO 26" TO 48") • WALLD72 (Fits RO 26" TO 72") • WALLD96 (Fits RO 56" TO 96") • WALLD144 (Fits RO 96" to 144") • WALLD48-SWO (Fits RO 26" to 48") • WALLD72-SWO (Fits RO 26" to 72") • WALLD96-SWO (Fits RO 56" to 96") • WALLD144-SWO (Fits RO 96" to 144") 	<ul style="list-style-type: none"> • Multiple drains can be linked together to accommodate greater water flow or larger shower sizes • Additional drain line(s) can be added to increase GPM • 2" Outlet = 12 GPM* 	<ul style="list-style-type: none"> • Standard vertical drain waste outlet • Side waste outlet 	<ul style="list-style-type: none"> • Topical Liquid • Hot Mop

*Actual volume determined by plumbing lines and P-trap; WALLD96 and WALLD144 require two drain outlets. These kits include two drain bodies and cover connector for side-by-side installation
 Note: RO = Rough Opening (distance from wall board to wall board)

Sample WallDrain Kit



Ordering WallDrain is fast & simple.

Evaluate Your Project Space

Verify structural integrity within shower footprint (level sub-floor and square framing).
Sketch the desired layout measurements – include drain location and subfloor material.

When you are ready, contact your local QuickDrain USA dealer to place your order. To make the ordering process seamless, complete the following steps using the part number pages in the back of the brochure:

- 1 WallDrain Selection - Choose the following:**
 - a. Drain Body Length - 48", 72", 96", or 144" according to what will fit into the space.
 - b. Waste Outlet - vertical or side (horizontal) waste outlet configuration.
 - c. For non-standard sizes, multi-waste outlets and more, QuickDrain can help you customize a drain body. Please contact us at info@quickdrainusa.com.
- 2 Waterproofing Accessories** – WallDrain assembly kits include standard liquid waterproofing accessories necessary for a curbless application. Additional accessories can be purchased separately. The actual liquid will be supplied by the installer.
- 3** To make installation even easier, consider QuickDrain QuickSlope PET panels, available for both curbed and curbless applications.

Technical Support & Job Site Assistance

Our team is able to provide expert on-site instruction and support. We also help by providing early design drawings to get your project started off right.



QUESTIONS?

Call 866-998-6685
Email info@lrbrands.com

For a complete list of QuickDrain parts, materials and design options, visit LRBrands.com/QuickDrain or call 866.998.6685

Commitment to community.

As part of our commitment to minimize our environmental footprint, we use 100% recycled plastic bottles (Polyethylene Terephthalate or PET) to manufacture our QuickSlope shower panels. These non-reactive, economical and shatterproof parts do not degrade over time and perform even under the toughest conditions at 145 PSI.

If you're looking to obtain LEED certification for your next project, please contact a QuickDrain representative to hear about our selection of environmentally conscious products, which may qualify for LEED points.



20 million+ Plastic Bottles Recycled

For every QuickDrain shower panel installed, 450 plastic bottles are saved from landfills – 20 million bottles and counting.



WALLDRAIN'S PET QUICKSLOPE PANELS, VERTICAL INSTALLATION PANEL, AND FURRING STRIPS ARE MADE OF 100% RECYCLED PLASTIC.





HAVE QUESTIONS?

Contact a QuickDrain representative at 866-998-6685

NEED MORE INFORMATION?

Visit LRBrands.com/QuickDrain

deliver quality. build trust. improve lives.

QuickDrain USA™ & L.R. Brands are a part of the Oatey family of companies.

LCS1314D 09/22