



SQUAREDRAIN SHOWER INSTALLATION KIT WITH SHEET WATERPROOFING TECHNICAL SPECIFICATION

DESCRIPTION

The pre-sloped shower pan shall be a tileable shower receptor for point drains and made from extruded rigid PET (polyethylene terephthalate) plastic foam. It is strong, lightweight, non-reactive, chemically stable, UV resistant, and suitable for interior and exterior use. The pan can be used with both sheet membrane and liquid waterproofing and eliminates the need for traditional mud bed installations. The compressive strength shall be 145PSI and meet IAPMO PS-10 standards. It shall have the ability to be quickly modified to size on-site, is made from 100% post-consumer recycled plastic, and is fully recyclable.

APPLICATIONS/USES

- Industrial, commercial and residential showers
- Gang showers
- Pet Showers

SUITABLE SUBSTRATES (INTERIOR ONLY)

- Concrete
- Exterior glue plywood
- Cement backer board**
- OSB or Avantech

**Consult cement backer board manufacturer for specific installation recommendations

APPROVALS AND LISTINGS

Before installing the QuickDrain system, check with your local building department/plumbing inspector to ensure compliance with the local building codes. QuickDrain is not responsible for any conflicts with local building codes or improper installation of any part of the assembly or the waterproofing membrane. Dimensions are subject to manufacturer's tolerance and can change without notice.

PRODUCT SELECTOR

EXAMPLE: SDPAN-SWP38X60-SFOFF SQUAREDRAIN SHOWER INSTALLATION KIT INCLUDING SHEET WATERPROOFING MEMBRANE, 38"X60" PRE-SLOPED SHOWER PAN, AND SMALL UNIVERSAL FLANGE ADAPTOR FOR 4" DRAINS IN AN OFFSET DRAIN LOCATION

SDPAN - SWP		Pan Size		Universal Flange Adaptor		Drain Location	
SquareDrain Pre-sloped Pan Kit		Sheet Membrane Waterproofing		Universal Flange Adaptor		Drain Location	
✓	PAN SIZE	✓	UNIVERSAL FLANGE ADAPTOR	✓	DRAIN LOCATION		
	48"x48"	SF =	Small for 4" SquareDrain		Centered		
	38"x60"	LF =	Large for 5" and 6" SquareDrain		Offset		

Job Name _____	Item # _____
Location _____	
Engineer _____	Contractor _____
PO # _____	Tag _____
Representative _____	



INSTALLATION KIT INCLUDES

- Pre-sloped shower pan
- Pre-formed PET curb & lag screws
- Sheet waterproofing & accessories
- Small or large universal flange adaptor
- Weep guard



SQUAREDRAIN SHOWER INSTALLATION KIT WITH SHEET WATERPROOFING TECHNICAL SPECIFICATION: UNIVERSAL FLANGE ADAPTOR

DESCRIPTION

The QuickDrain Universal Flange Adaptor is made of reinforced nylon and molded in the USA. It is available in two sizes: large (13") and small (10-1/2"). The flange adaptor shall have universal bolt slots and Phillips head screws which can be fastened to most drain bases. It shall have a molded TPE dual profile gasket which seals to most PVC/ABS drain bases to upgrade or retrofit from traditional pan liner to topical membrane waterproofing. It shall have integrated threads and a weep zone to allow water to properly migrate to the drain. The flange shall be textured to bond topical fabric membrane with thinset and compatible to liquid applied waterproofing.

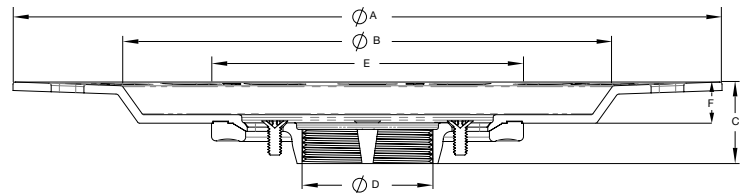
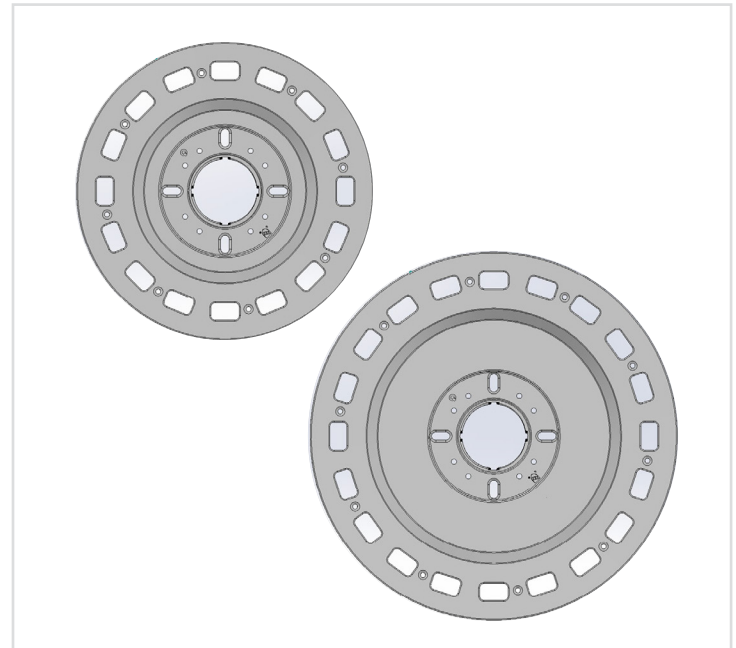
APPROVALS AND LISTINGS

Before installing the QuickDrain system, check with your local building department/plumbing inspector to ensure compliance with the local building codes. QuickDrain is not responsible for any conflicts with local building codes. QuickDrain is not responsible for improper installation of any part of the assembly or the waterproofing membrane. Dimensions are subject to manufacturer's tolerance and can change without notice.



CONVERSION KIT INCLUDES

- Flange Adaptor (1)
 - Weep Guard (1)
 - Phillips Head Screws (4)
- * Drain base sold separately.



Flange Adaptor Size	Included with:
Small Universal	SDPAN-SWP48x48-SF SDPAN-SWP38x60-SFOFF SDPAN-SWP38x60-SF SDPAN-LWP48x48-SF SDPAN-LWP38x60-SFOFF SDPAN-LWP38x60-SF
Large Universal	SDPAN-SWP48x48-LF SDPAN-SWP38x60-LFOFF SDPAN-SWP38x60-LF SDPAN-LWP48x48-LF SDPAN-LWP38x60-LFOFF SDPAN-LWP38x60-LF

FLANGE ADAPTOR DIMENSIONS

[A]:	Width	SF: 10-12" LF: 13"	[D]:	Hub Dimension	2" Sch 40
[B]:	Recess Width	SF: 6-1/2" LF: 9"	[E]:	Compatible Drain Bodies	SF: 4" LF: 5", 6"
[C]:	Height	4"	[F]:	Drain Body Depth	1/4"