



SQUAREDRAIN SHOWER INSTALLATION KIT WITH LIQUID WATERPROOFING ACCESSORIES TECHNICAL SPECIFICATION

DESCRIPTION

The pre-sloped shower pan shall be a tileable shower receptor for point drains and made from extruded rigid PET (polyethylene terephthalate) plastic foam. It is strong, lightweight, non-reactive, chemically stable, UV resistant, and suitable for interior and exterior use. The pan can be used with both sheet membrane and liquid waterproofing and eliminates the need for traditional mud bed installations. The compressive strength shall be 145PSI and meet IAPMO PS-10 standards. It shall have the ability to be quickly modified to size on-site, is made from 100% post-consumer recycled plastic, and is fully recyclable.

APPLICATIONS/USES

- Industrial, commercial and residential showers
- Gang showers
- Pet Showers

SUITABLE SUBSTRATES (INTERIOR ONLY)

- Concrete
- Exterior glue plywood
- Cement backer board**
- OSB or Avantech

**Consult cement backer board manufacturer for specific installation recommendations

APPROVALS AND LISTINGS

Before installing the QuickDrain system, check with your local building department/plumbing inspector to ensure compliance with the local building codes. QuickDrain is not responsible for any conflicts with local building codes or improper installation of any part of the assembly or the waterproofing membrane. Dimensions are subject to manufacturer's tolerance and can change without notice.

PRODUCT SELECTOR

EXAMPLE: SDPAN-LWP38X60-SFOFF SQUAREDRAIN SHOWER INSTALLATION KIT INCLUDING LIQUID WATERPROOFING MEMBRANE, 38"X60" PRE-SLOPED SHOWER PAN, AND SMALL UNIVERSAL FLANGE ADAPTOR FOR 4" DRAINS IN AN OFFSET DRAIN LOCATION

SDPAN - LWP						
SquareDrain Pre-sloped Pan Kit		Liquid Waterproofing Accessories		Pan Size	Universal Flange Adaptor	Drain Location
✓	PAN SIZE	✓	UNIVERSAL FLANGE ADAPTOR	✓	DRAIN LOCATION	
	48"x48"	SF =	Small for 4" SquareDrain		Centered	
	38"x60"	LF =	Large for 5" and 6" SquareDrain		Offset	

Access BIM/Revit content through www.oatey.com

Job Name _____	Item # _____
Location _____	
Engineer _____	Contractor _____
PO # _____	Tag _____
Representative _____	



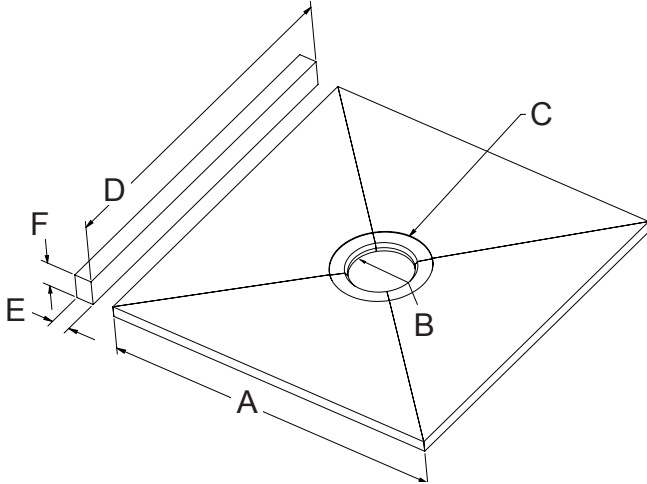
INSTALLATION KIT INCLUDES

- Pre-sloped shower pan
- Pre-formed PET curb & lag screws
- Liquid waterproofing accessories*
- Small or large universal flange adaptor
- Weep guard

* Liquid waterproofing not included
Drain base sold separately



SQUAREDRAIN SHOWER INSTALLATION KIT WITH LIQUID WATERPROOFING ACCESSORIES TECHNICAL SPECIFICATION

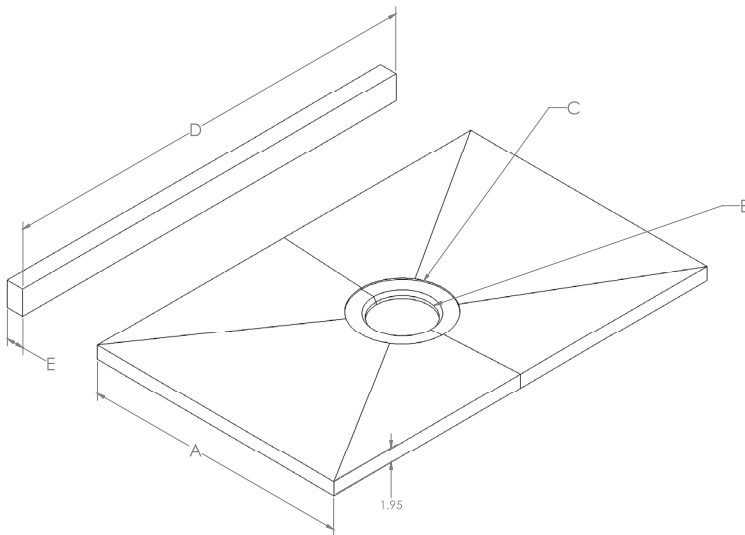


48"X48" INSTALLATION KITS

SDPAN-LWP48x48-SF Includes small (SF) Universal Flange Adaptor Conversion Kit and liquid (LWP) waterproofing accessories*. Compatible with all 4" SquareDrain Kits (SD04-)

SDPAN-LWP48x48-LF Includes large (LF) Universal Flange Adaptor Conversion Kit and liquid (LWP) waterproofing accessories*. Compatible with all 5" and 6" SquareDrain Kits (SD05- and SD06-)

[A]:	Pan Size:	48" x 48"	[D]:	Curb Length	48"
[B]:	Thru Hole	SF: 6"	[E]:	Curb Width	2-1/2"
		LF: 8-1/2"			
[C]:	Flange O.D.	SF: 10-1/2"	[F]:	Curb Height	3-13/16"
		LF: 13"			

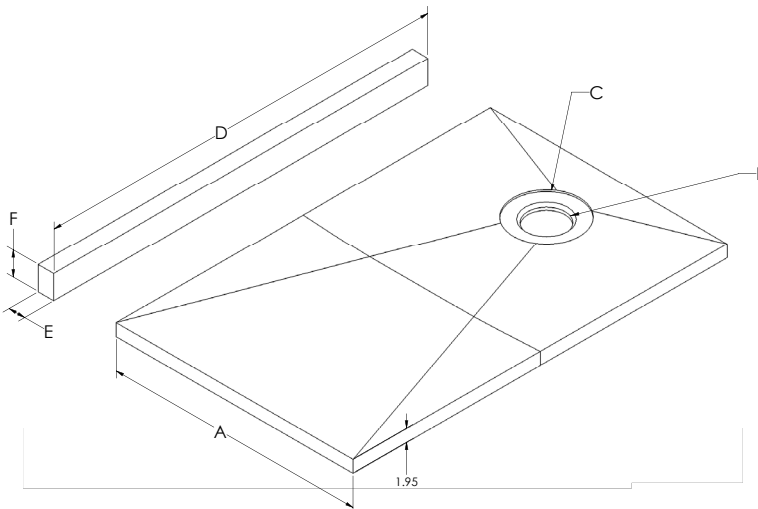


38"X60" CENTERED OUTLET INSTALLATION KITS

SDPAN-LWP38x60-SF Includes small (SF) Universal Flange Adaptor Conversion Kit and liquid (LWP) waterproofing accessories*. Compatible with all 4" SquareDrain Kits (SD04-)

SDPAN-LWP38x60-LF Includes large (LF) Universal Flange Adaptor Conversion Kit and liquid (LWP) waterproofing accessories*. Compatible with all 5" and 6" SquareDrain Kits (SD05- and SD06-)

[A]:	Pan Size:	38" x 60"	[D]:	Curb Length	60"
[B]:	Thru Hole	SF: 6"	[E]:	Curb Width	2-1/2"
		LF: 8-7/16"			
[C]:	Flange O.D.	SF: 10-1/2"	[F]:	Curb Height	3-13/16"
		LF: 13"			



38"X60" OFFSET OUTLET INSTALLATION KITS

SDPAN-LWP38x60-SFOFF Includes small (SF) Universal Flange Adaptor Conversion Kit and liquid (LWP) waterproofing accessories*. Compatible with all 4" SquareDrain Kits (SD04-)

SDPAN-LWP38x60-LFOFF Includes large (LF) Universal Flange Adaptor Conversion Kit and liquid (LWP) waterproofing accessories*. Compatible with all 5" and 6" SquareDrain Kits (SD05- and SD06-)

[A]:	Pan Size:	38" x 60"	[D]:	Curb Length	60"
[B]:	Thru Hole	SF: 6"	[E]:	Curb Width	2-1/2"
		LF: 8-7/16"			
[C]:	Flange O.D.	SF: 10-1/2"	[F]:	Curb Height	3-13/16"
		LF: 13"			

Access BIM/Revit content through www.oatey.com



SQUAREDRAIN SHOWER INSTALLATION KIT WITH LIQUID WATERPROOFING ACCESSORIES TECHNICAL SPECIFICATION

DESCRIPTION

Topical liquid waterproofing accessories shall be used in residential and commercial applications when creating a watertight shower pan, shower system, or wet room. Liquid membrane must be installed a minimum of 4" above the flood rim in a shower pan and can be used to waterproof walls within shower footprint or other surfaces with tile/stone application. Reinforcement accessories shall be used to bridge joints, create transitional seams or connection within the shower pan and shower system.

Liquid waterproofing accessories for use with any liquid waterproofing: Aqua Defense, Hydroban, 3295, Ardex 8+9, RedGard

APPROVALS AND LISTINGS

Before installing the QuickDrain system, check with your local building department/plumbing inspector to ensure compliance with the local building codes. QuickDrain is not responsible for any conflicts with local building codes. QuickDrain is not responsible for improper installation of any part of the assembly or the waterproofing membrane. Dimensions are subject to manufacturer's tolerance and can change without notice.



INSTALLATION KIT INCLUDES

- Reinforcement Fabric
- Reinforcement Collar
- Curb Covers
- Inside Corners

* Liquid waterproofing not included
 Drain base sold separately

Item Code	Reinforcement Collar Size	Components		
		Curb Covers	Inside Corners	Reinforcement Fabric
SDPAN-LWP48x48-SF	Small	2	4	1
SDPAN-LWP38x60-SFOFF	Small	2	4	1
SDPAN-LWP38x60-SF	Small	2	4	1
SDPAN-LWP48x48-LF	Large	2	4	1
SDPAN-LWP38x60-LFOFF	Large	2	4	1
SDPAN-LWP38x60-LF	Large	2	4	1

Access BIM/Revit content through www.oatey.com



SQUAREDRAIN SHOWER INSTALLATION KIT WITH LIQUID WATERPROOFING ACCESSORIES TECHNICAL SPECIFICATION: UNIVERSAL FLANGE ADAPTOR

DESCRIPTION

The QuickDrain Universal Flange Adaptor is made of reinforced nylon and molded in the USA. It is available in two sizes: large (13") and small (10-1/2"). The flange adaptor shall have universal bolt slots and Phillips head screws which can be fastened to most drain bases. It shall have a molded TPE dual profile gasket which seals to most PVC/ABS drain bases to upgrade or retrofit from traditional pan liner to topical membrane waterproofing. It shall have integrated threads and a weep zone to allow water to properly migrate to the drain. The flange shall be textured to bond topical fabric membrane with thinset and compatible to liquid applied waterproofing.

APPROVALS AND LISTINGS

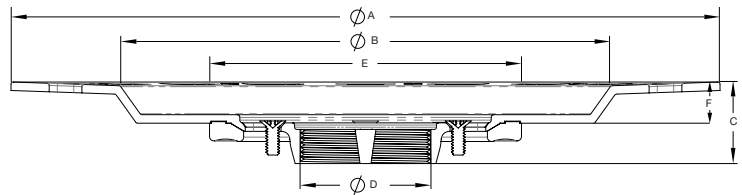
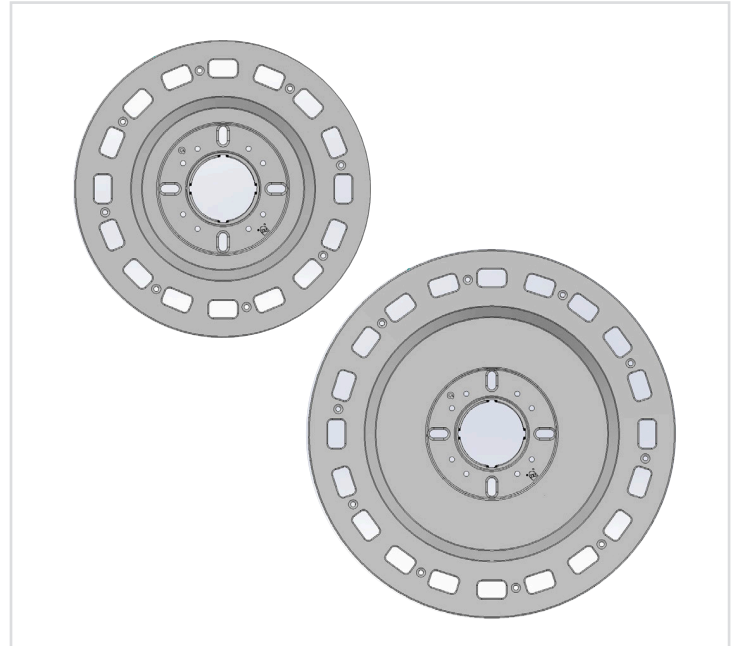
Before installing the QuickDrain system, check with your local building department/plumbing inspector to ensure compliance with the local building codes. QuickDrain is not responsible for any conflicts with local building codes. QuickDrain is not responsible for improper installation of any part of the assembly or the waterproofing membrane. Dimensions are subject to manufacturer's tolerance and can change without notice.



CONVERSION KIT INCLUDES

- Flange Adaptor (1)
- Weep Guard (1)
- Phillips Head Screws (4)

Drain base sold separately



Flange Adaptor Size	Included with:
Small Universal	SDPAN-SWP48x48-SF SDPAN-SWP38x60-SFOFF SDPAN-SWP38x60-SF SDPAN-LWP48x48-SF SDPAN-LWP38x60-SFOFF SDPAN-LWP38x60-SF
Large Universal	SDPAN-SWP48x48-LF SDPAN-SWP38x60-LFOFF SDPAN-SWP38x60-LF SDPAN-LWP48x48-LF SDPAN-LWP38x60-LFOFF SDPAN-LWP38x60-LF

FLANGE ADAPTOR DIMENSIONS

[A]:	Width	SF: 10-12" LF: 13"	[D]:	Hub Dimension	2" Sch 40
[B]:	Recess Width	SF: 6-1/2" LF: 9"	[E]:	Compatible Drain Bodies	SF: 4" LF: 5", 6"
[C]:	Height	4"	[F]:	Drain Body Depth	1/4"

Access BIM/Bovit content through www.oatey.com

